

Instructions for use of Power Powder Sampler

Read carefully before use, and keep for later reference

Please read these instructions completely, before taking this equipment in to operation. Each user must read these instructions, before using the apparatus, and always keep on hand.



Power Powder Sampler with Bag Clip



Power Powder Sampler with Bottle Holder

Safety Regulations

This equipment should only be used by qualified personnel, adequately trained in the risks involved, and pertinent safe handling procedures. It is the responsibility of the user to be adequately informed of all applicable health and safety regulations, and to follow these.

Never press the spiral out of the sampler from the front (Injury Risk)

Observe the safety warnings given by the reagent manufacturer.

Always handle the apparatus so that neither the user, nor other persons are at risk. The pointed and projecting metal probes can cause injury if improperly handled.

Do not use instrument with explosive powders / granulates. As an unprotected electric tool is used (drive unit) it is forbidden to use the instrument in explosive, or fire endangered surroundings. In such locations, it may be necessary to use a drive unit powered by compressed air.

Packaging Contents

Check the contents for completeness, and inspect for any transport damage. If external damage to the packaging is obvious, then immediately inform the deliverer / forwarding agent, and obtain confirmation.

Function, Safety measurements, Limitations of use

The Power Powder Sampler is used to sample pourable powders, and granulates in sacks, big bags, barrels, and drums. Protective clothing should be worn when handling aggressive substances, gloves and goggles in particular (See under Protective Clothing) If necessary, where a respirator.

Only use the sampler in accordance with its' resistance properties. All parts in contact with the medium are made of stainless steel 1.4301 / 1.4310. The sampler should not be used with chemicals that damage such materials.

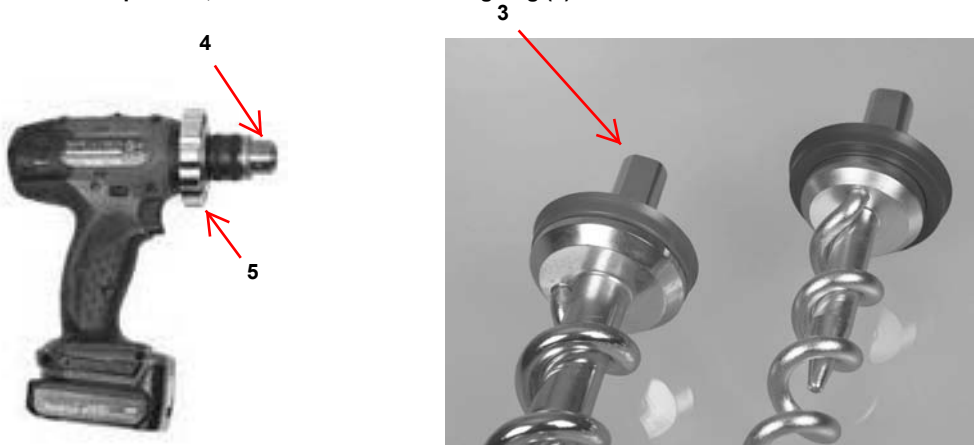
Assembly

Never use force. The power sampler is supplied with a drive unit (1) , an attachable sampling rod (2) , and a spiral screw (3).



Assembly (cont)

1. First check to make sure all parts are clean of debris. (See Cleaning and Maintenance)
2. Clamp the spiral screw (3) in the chuck (4), and tighten with the chuck wrench. Push the sampling rod on to the drive unit, click the bayonet closure into position, and fasten it with the fixing ring (5)



3. Use the bag clip to fasten bag on to sample outlet, or screw sample bottle basket tightly on to the outlet tube. Ensure that the drive unit switch, is in position 2.

Handling

Never push the sampler in to the medium to be sampled with the drive unit switched off, as this could damage the instrument. Penetrate the sack with the tip of the sampling rod, with the motor switched off, by placing the tip on the pack, and pressing it down vertically to produce a triangular hole. You can now insert the sampling rod in to the hole, with the drive unit running. If vertical sampling, the rod must be tilted slightly, so that the sample can flow in to the bag or bottle.

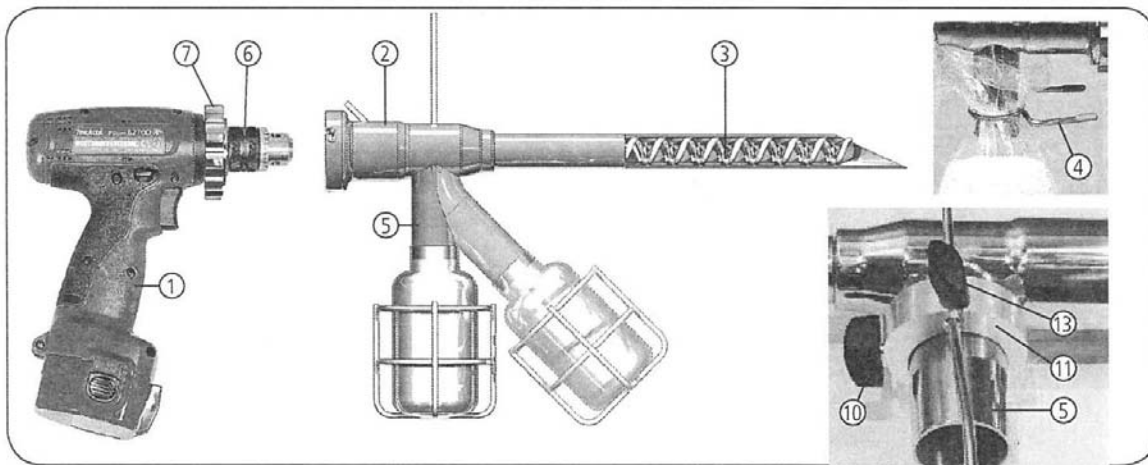
Take care that no scraps of paper enter the sampling rod, or the sack. The instrument is turned on, by depressing the trigger switch on the drive unit. The drive direction switch must be set to position "F" for sampling. When sufficient sample material has been collected, the residue in the sampling rod, is returned to the sack, by setting the drive direction switch to "R". When the sampling rod has been removed, the sack is sealed with a sack label. (See Accessories)

Sampling Duration

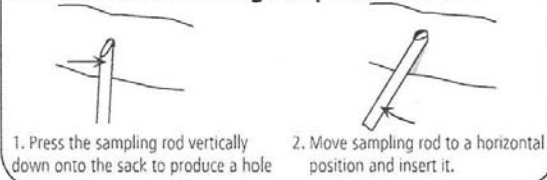
The Power Powder Sampler is designed for a maximum sampling period of 3 minutes per sample, and a maximum sample volume of 1 liter. For repeated use, with several 3 minute sampling periods, the instrument must be allowed to cool down. If samples have to be taken in quick succession, we strongly recommend that a second instrument be employed.

Cleaning and Maintenance

The quality of the samples, depends on the cleanliness of the sampling rod. For this reason, the sampling rod, and spiral screw must always be cleaned after use. Remove the drive unit from the sampling rod. The sampling rod, and spiral screw can now be cleaned.

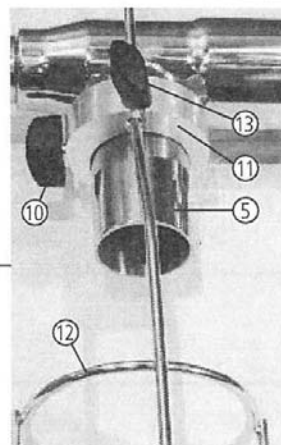


Rod insertion for taking samples from sacks



Assembling the bottle basket

1. Push holder ring (11) onto sample outlet (5) and fix it in position with the clamp (10).
2. Insert bottle basket (12) into the holder ring from below and use clamp (13) to fix it at the required height.



Accessories / Parts

Cleaning Brushes

Part#	Length
675 8020J600	Wide Brush 600 mm
675 8020J1100	Wide Brush 1100 mm
675 8020J1600	Wide Brush 1600 mm
675 8020J2100	Wide Brush 2100 mm



711 60006259 Bag Clip



Holder Ring for Bottle Basket

711 53022000



Stainless Steel Bottle Holder Basket

711 53022025

Ultra Adhesive Labels for Sacks

675 8220A01	Red	Quality Control	95 x 95 mm	QTY 500
675 8220A02	Green	Quality Control	95 x 95 mm	QTY 500
675 8220A03	Yellow	Quality Control	95 x 95 mm	QTY 500
675 8220A04	Blue	Quality Control	95 x 95 mm	QTY 500
675 8220A05	Black	Quality Control	95 x 95 mm	QTY 500
675 8220A06	White	Quality Control	95 x 95 mm	QTY 500
675 8220A31	Blue	SAMPLED	95 x 95 mm	QTY 500
675 8220A07		Label Dispenser		



Trouble Shooting

Fault	Possible Cause	Remedy
Spiral Screw Blocked	<p>Particles too Large</p> <p>Sampling Rod not Clean</p> <p>Product Adhering to Inner Walls</p> <p>Sample Rod wrongly tilted</p> <p>Bag or Bottle is full</p> <p>Product prevents air from escaping / Bag Inflates</p>	<p>Use Granulate Auger Screw</p> <p>See Cleaning</p> <p>During Vertical Sampling, Rod must be tilted slightly</p> <p>Turn off, and Change Container</p> <p>Attach Sampling Rod in a way that air can escape</p> <p>Allow Instrument to Cool Down</p> <p>See Cleaning</p>
Instrument becomes hot	<p>Recommended Sampling Time is exceeded</p> <p>Ball Bearing is Dirty</p>	<p>See Cleaning</p>