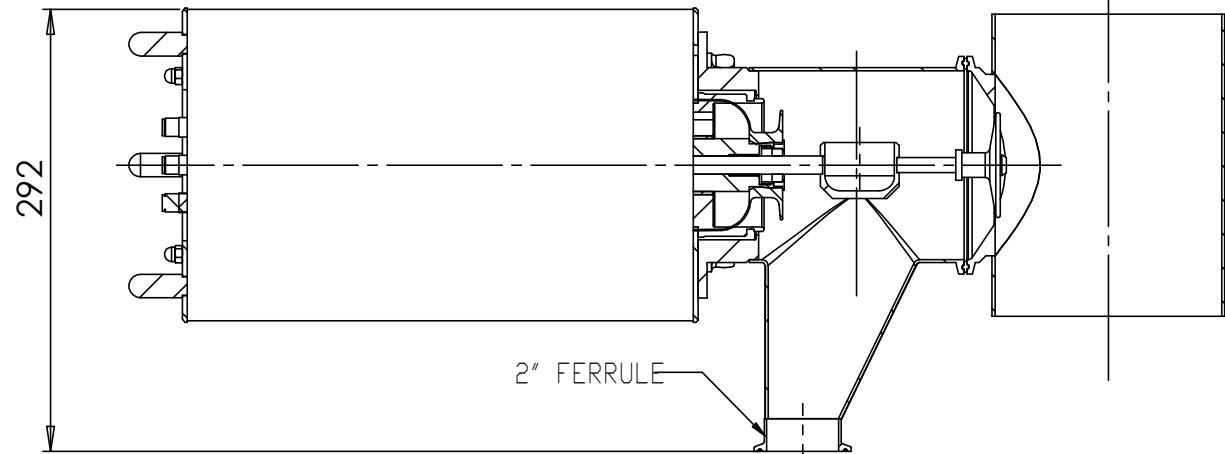


200 STRAIGHT
PIPE REQUIRED

150MM PNEUMATIC SAMPLER
CUP INSIDE T-PIECE



NOTE:

150MM PNEUMATIC SAMPLER SHOWS
140MM STROKE

PROPRIETARY AND CONFIDENTIAL THE INFORMATION CONTAINED IN THIS DRAWING IS THE SOLE PROPERTY OF SAMPLING SYSTEMS LTD. ANY REPRODUCTION IN PART OR AS A WHOLE WITHOUT THE WRITTEN PERMISSION OF SAMPLING SYSTEMS LTD IS PROHIBITED.		
REV	DESCRIPTION	DATE
B	DIMS ALTERED	03/11/10
A	FIRST ISSUE	11/09/07

DIMENSIONS ARE IN MM. TOLERANCES: M/C PARTS +/- 0.2 FABRICATED PARTS: 0-300 TOL +/- 1.0 301-1000 TOL +/- 2.0 1001+ TOL +/- 3.0	
MATERIAL	N/A
FINISH	N/A
DD NOT SCALE DRAWING	

NAME	DATE
DRAWN SCH	11/09/07
CHECKED	
 QAQC LAB www.qclabequipment.com	

TITLE:		FREEGLIDE 675 1500A	
CUSTOMER			
SIZE	DWG. NO.	REV.	
A4	SS400107	B	
SCALE:4:5	WEIGHT:	SHEET 1 OF 1	