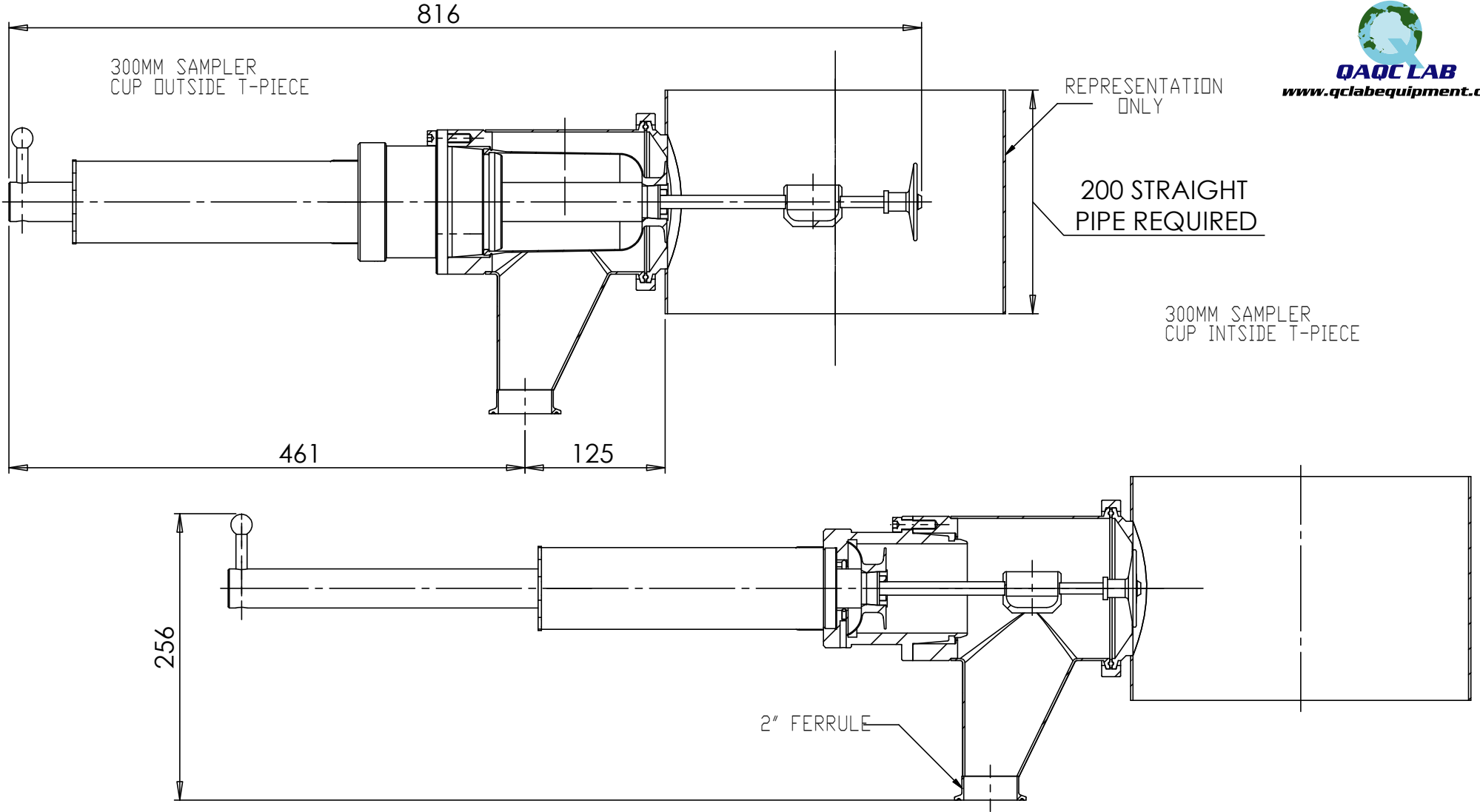




QAQC LAB
www.qclabequipment.com



NOTE:
300MM SAMPLER SHOWS 220MM STROKE

PROPRIETARY AND CONFIDENTIAL		
REV	DESCRIPTION	DATE
B	DIMS ALTERED	03/11/10
A	FIRST ISSUE	05/09/07

DIMENSIONS ARE IN MM. TOLERANCES: M/C PARTS +/- 0.2 FABRICATED PARTS: 0-300 TOL +/- 1.0 301-1000 TOL +/- 2.0 1001+ TOL +/- 3.0	
MATERIAL	N/A
FINISH	N/A
DD NOT SCALE DRAWING	

NAME	DATE
DRAWN SCH	05/09/07
CHECKED	

TITLE: FREEGLIDE FG3000M	
CUSTOMER	
SIZE DWG. NO.	REV.
A4 SS400102	B
SCALE:4:5	WEIGHT:
SHEET 1 OF 1	