

Product Specification

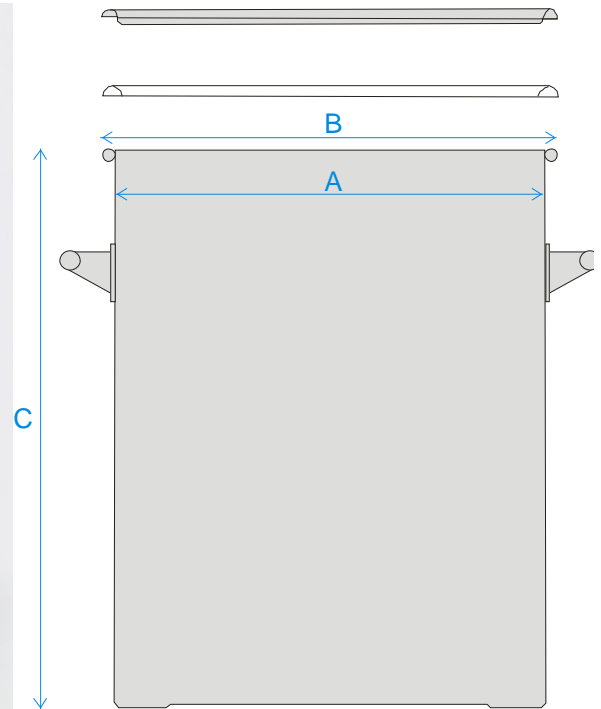
Specification Number

675 A9262

Revision

01

Part No.	675 A9262
Description	Toggle Drum 2L
Materials of Construction:	<ul style="list-style-type: none"> - Body: 316 stainless steel - Lid: 316 stainless steel - Toggles: 304 stainless steel - Handles: 304 stainless steel - Gasket: Silicone (FDA 177.2600 and USP Class VI compliant)



Nominal Volume:	2 Litres
Brimful Volume:	2.3 Litres
Method of Construction:	Welds ground and polished
Surface Finish:	Better than 0.5 microns Ra
Dimensions	<ul style="list-style-type: none"> A = 140 mm B = 160 mm C = 160 mm
Graduation Marks:	None
Handles:	2 side handles welded onto patch plates
Number of Toggles:	2
Weight:	1.4 Kg (body + gasket + lid)