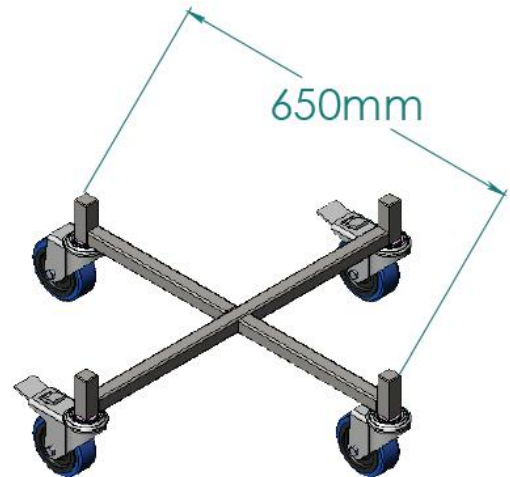
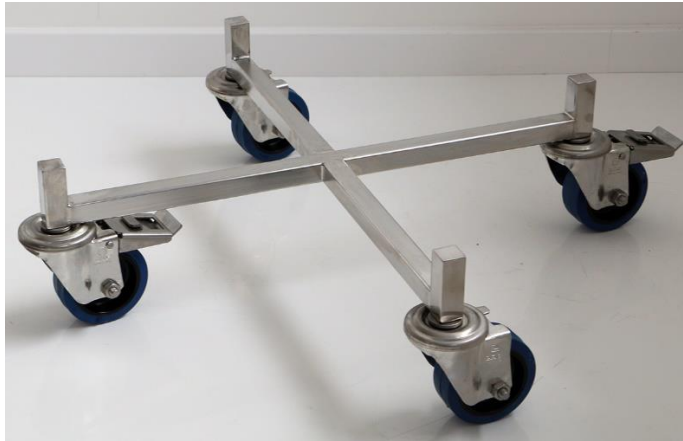


Part No. 675 A384600

Description Drum Trolley (for drums up to 600mm diameter)

Material of Construction: Frame: 304 stainless steel
Wheel Mounts: 304 stainless steel
Wheels: Polyamide



Method of Construction: Frame - welded

Surface Finish: Brush finish

Max. Frame Width: 650mm

Deck Height 135mm

Nominal Weight: 7.3kg

Notes:

- All four wheels are able to swivel
- Two wheels are fitted with brakes