

Product Specification

Specification Number

675 A196200

Revision

01

Part No.

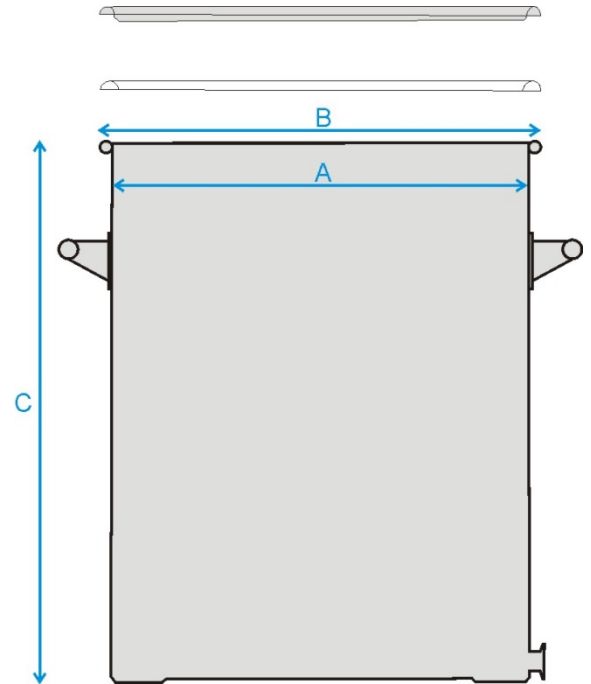
675 A196200

Description

Stainless Storage Drum 200L with 1" Ferrule

Materials of Construction:

- Body: 316 stainless steel
- Ferrule: 316 stainless steel
- Lid: 316 stainless steel
- Clamp: 304 stainless steel
- Handles: 304 stainless steel
- Gasket: Silicone (FDA 177.2600 and USP Class VI compliant)



Nominal Volume:

200 Litres

Method of Construction:

Welds ground and polished

Surface Finish:

Better than 0.5 microns Ra

Dimensions

A = 570 mm

B = 593 mm

C = 800 mm

Graduation Marks:

None

Handles:

2 side handles welded onto patch plates

Ferrule:

1" (to standard BS4825-3)

Weight:

20.3 Kg (body + gasket + lid + clamp)