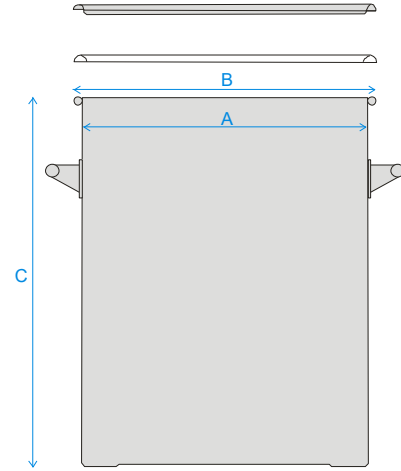


**1. Part Number:** 675 A12602

**2. Photograph:**



**3. Product Information:**

Description	Stainless Storage Drum 2L
Materials of Construction:	<ul style="list-style-type: none"> <li>- Body: 316L stainless steel</li> <li>- Lid: 316L stainless steel</li> <li>- Clamp: 304 stainless steel</li> <li>- Handles: 304 stainless steel</li> <li>- Gasket: Silicone (FDA 177.2600 compliant)</li> </ul>
Nominal Volume:	2 Litres
Method of Construction:	Welds ground and polished
Surface Finish:	Better than 0.5 microns Ra
Dimensions	<ul style="list-style-type: none"> <li>A = 140 mm</li> <li>B = 155 mm</li> <li>C = 160 mm</li> </ul>
Graduation Marks:	None
Handles:	2 side handles welded onto patch plates
Weight:	1.49 Kg (body + gasket + lid + clamp)
BSE/TSE statement:	All polishing compounds used in the manufacture of this product are of vegetable origin.
Quantity per Pack:	1
Recommended Storage Conditions:	Dry and ambient temperature