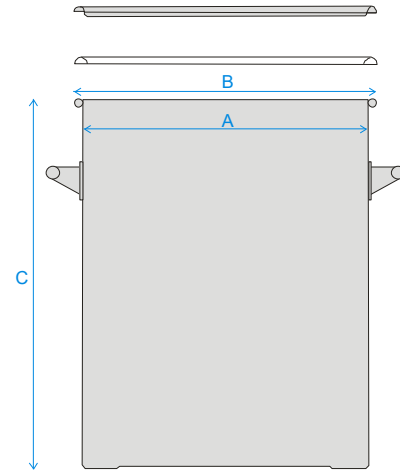


1. Part Number: 675 A12601

2. Photograph:



3. Product Information:

| | |
|---------------------------------|--|
| Description | Stainless Storage Drum 1L |
| Materials of Construction: | <ul style="list-style-type: none"> - Body: 316L stainless steel - Lid: 316L stainless steel - Clamp: 304 stainless steel - Handles: 304 stainless steel - Gasket: Silicone (FDA 177.2600 compliant) |
| Nominal Volume: | 1 Liter |
| Method of Construction: | Welds ground and polished |
| Surface Finish: | Better than 0.5 microns Ra |
| Dimensions | <ul style="list-style-type: none"> A = 140 mm B = 155 mm C = 90 mm |
| Graduation Marks: | None |
| Handles: | 2 side handles welded onto patch plates |
| Weight: | 1.19 Kg (body + gasket + lid + clamp) |
| BSE/TSE statement: | All polishing compounds used in the manufacture of this product are of vegetable origin. |
| Quantity per Pack: | 1 |
| Recommended Storage Conditions: | Dry and ambient temperature |